



# SERVICE PARTS LIST

**BULLETIN NO.**  
**54-38-2385**

SPECIFY CATALOG NO. AND SERIAL NO. WHEN ORDERING PARTS		REVISED BULLETIN	DATE
<b>M18 FUEL™ 4-1/2"- 6" Braking Grinder</b>			July 2024
CATALOG NO. <b>3670-20</b>	SERIAL NO. <b>P18A</b>	WIRING INSTRUCTION <b>See Pages 2-3</b>	

**EXAMPLE:**  

00	0
----	---

 Component Parts  
 (Small #) Are Included  
 When Ordering The  
 Assembly (Large #).

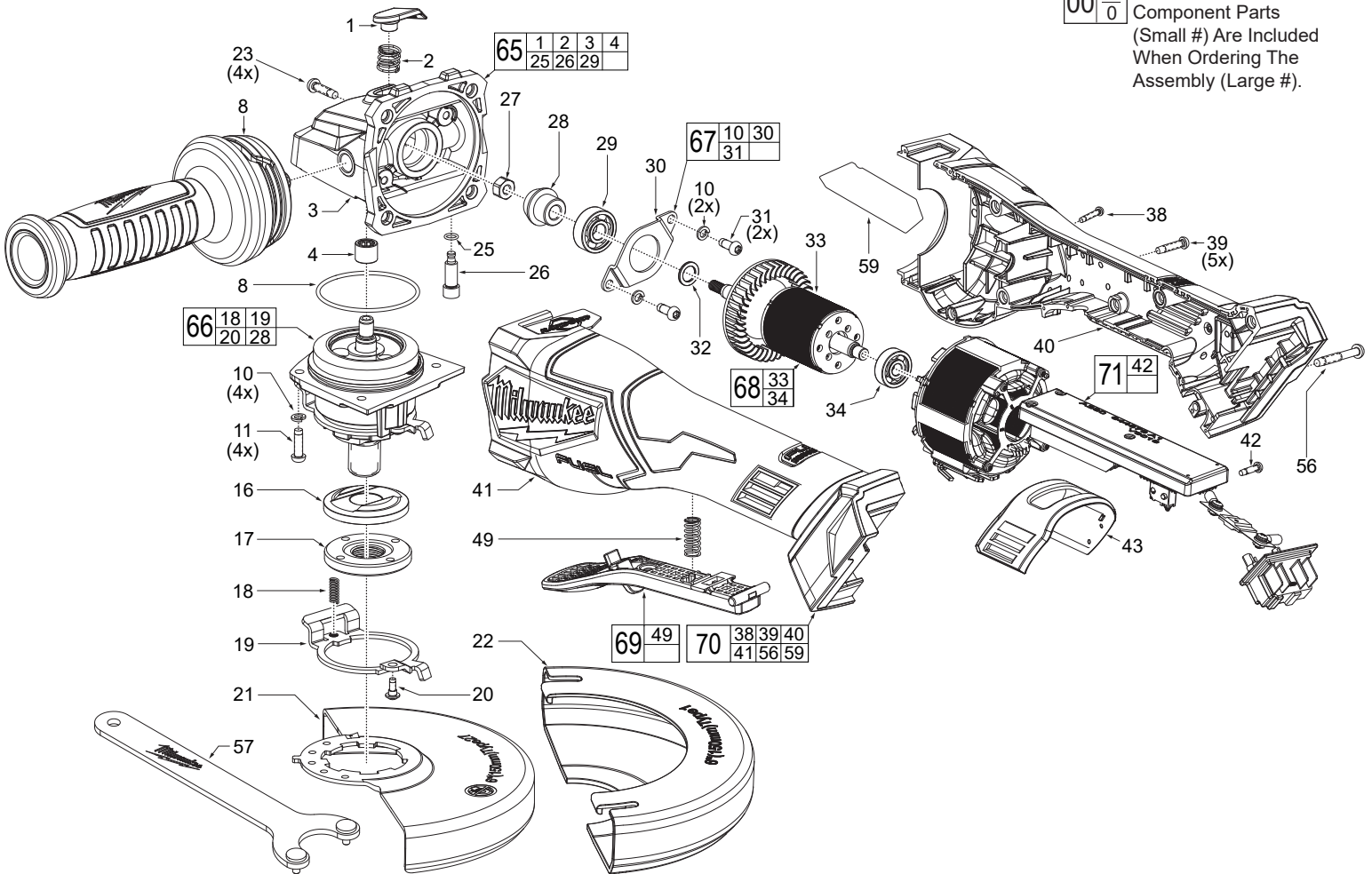
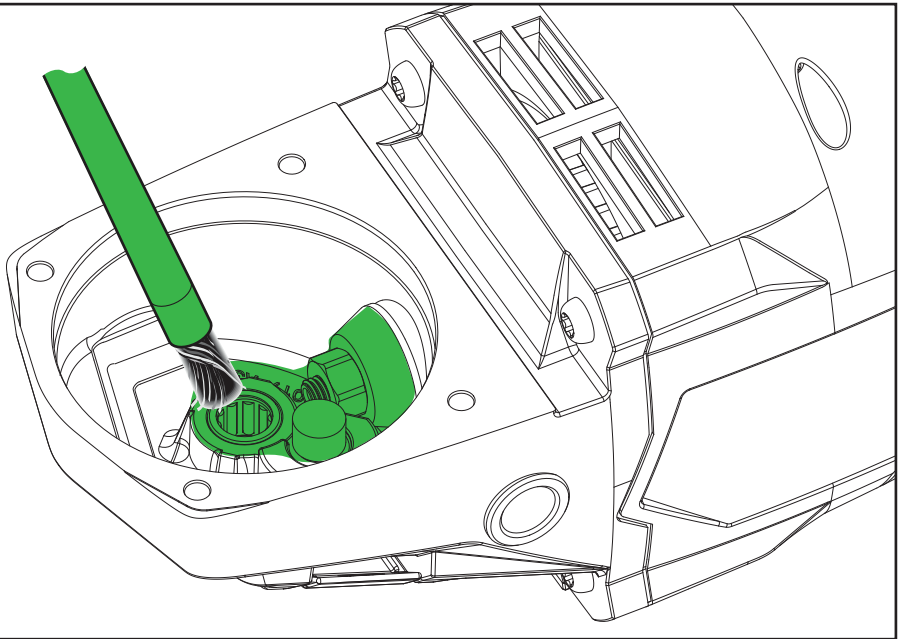


FIG.	PART NO.	DESCRIPTION OF PART	NO. REQ.	FIG.	PART NO.	DESCRIPTION OF PART	NO. REQ.
1	-----	Spindle Lock Button	(1)	31	05-78-0105	Pan Hd. Torx Taptite Screw	(2)
2	-----	Spindle Lock Spring	(1)	32	45-88-0406	Washer	(1)
3	-----	Gear Case	(1)	33	-----	Rotor Assembly	(1)
4	-----	Needle Bearing	(1)	34	02-04-0034	Ball Bearing	(1)
8	34-40-0560	O-Ring	(1)	38	06-82-2385	M2.6 x 14mm Pan Hd. Torx T8 Screw	(1)
10	05-90-0225	Spring Washer	(6)	39	05-88-0122	M3.5 x 16mm Steel Screw	(5)
11	05-78-5316	M4 x 14mm Pan Hd. Taptite T20 Screw	(4)	40	-----	Handle Housing - Cover	(1)
16	43-34-3000	Disc Flange	(1)	41	-----	Handle Housing - Support	(1)
17	44-40-7100	Flange Nut	(1)	42	06-82-1087	M3 x 12mm Pan-Hd Torx T-10 Screw	(1)
18	40-50-0437	Spring	(1)	43	31-15-9010	Dust Cover	(1)
19	34-60-0107	Lock Tang	(1)	49	40-50-0167	Spring	(1)
20	45-04-0031	M3 x .5mm Pan Washer Hd. Phillips Screw	(1)	56	06-82-2025	M3.5 x 26mm PT Screw	(1)
21	28-41-0034	6" Type 27 Wheel Guard	(1)	57	49-96-7215	Wrench	(1)
22	43-54-4020	6" Type 1 Wheel Guard	(1)	59	12-20-0532	Service Nameplate	(1)
23	05-88-1200	M4 x 16mm Pan Hd. Recess ST T20 Screw	(4)	65	14-29-0001	Gearcase Assembly	(1)
24	42-62-0125	Side Handle	(1)	66	14-29-0002	Gearcase Cover Housing Assembly	(1)
25	-----	O-Ring	(1)	67	14-46-0448	Bearing Retainer Service Kit	(1)
26	-----	Spindle Lock Pin	(1)	68	16-01-0003	Motor Rotor Assembly	(1)
27	05-55-0620	Hex Nut	(1)	69	31-92-0010	Paddle Trigger Assembly	(1)
28	32-05-0052	Bevel Pinion	(1)	70	14-46-0449	Handle Housing Service Kit	(1)
29	-----	Ball Bearing	(1)	71	14-20-0527	PCBA Assembly	(1)
30	44-66-0450	Ball Bearing Retainer	(1)				

## Lubrication Notes

For the Gearcase Assembly (fig.65) apply "J" Grease (No. 49-08-4220). Coat bevel pinion, needle bearing hole and surrounding area liberally.

**NOTE - When servicing the Gear Case Assembly, 90-95% of the old grease must be removed prior to new grease being added.**



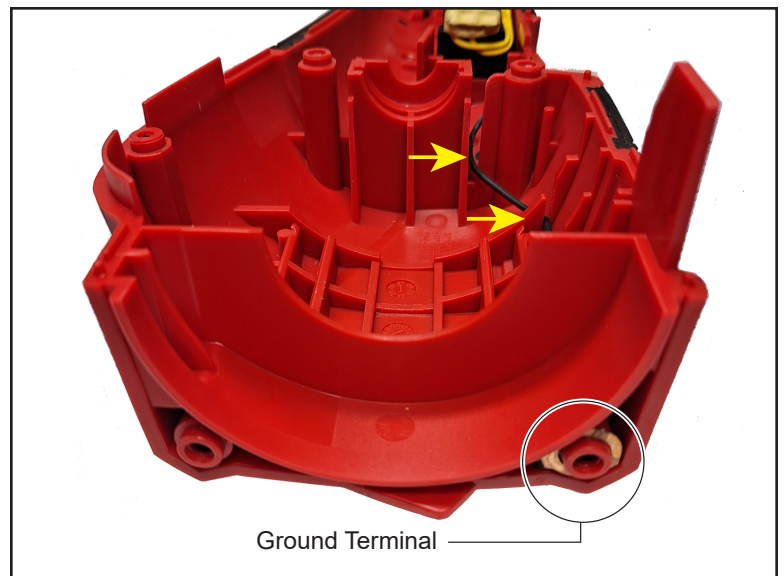
## Screw Torque Specs

SCREW TORQUE SPECIFICATIONS

FIG.	PART NO.	WHERE USED	SEAT TORQUE	
			(kgf-cm)	(lb-in)
11	05-78-0316	Spindle Hub	23-29	20-25
20	05-88-0120	Spindle Hub	7-9	6-8
23	06-82-0168	Gearcase	15-19	13-16
27	05-55-0620	Rotor Shaft	100±2	89±1.7
31	05-88-0119	Bearing Retainer	23-29	20-25
38	05-88-0123	Handle Housing	5±0.5	4±0.4
39	05-88-0122	Handle Housing	12.5-16.5	10.8-14.3
42	06-82-1087	Switch	4±0.5	3±0.4
56	06-82-2025	Handle Housing	12.5-16.5	10.8-14.3

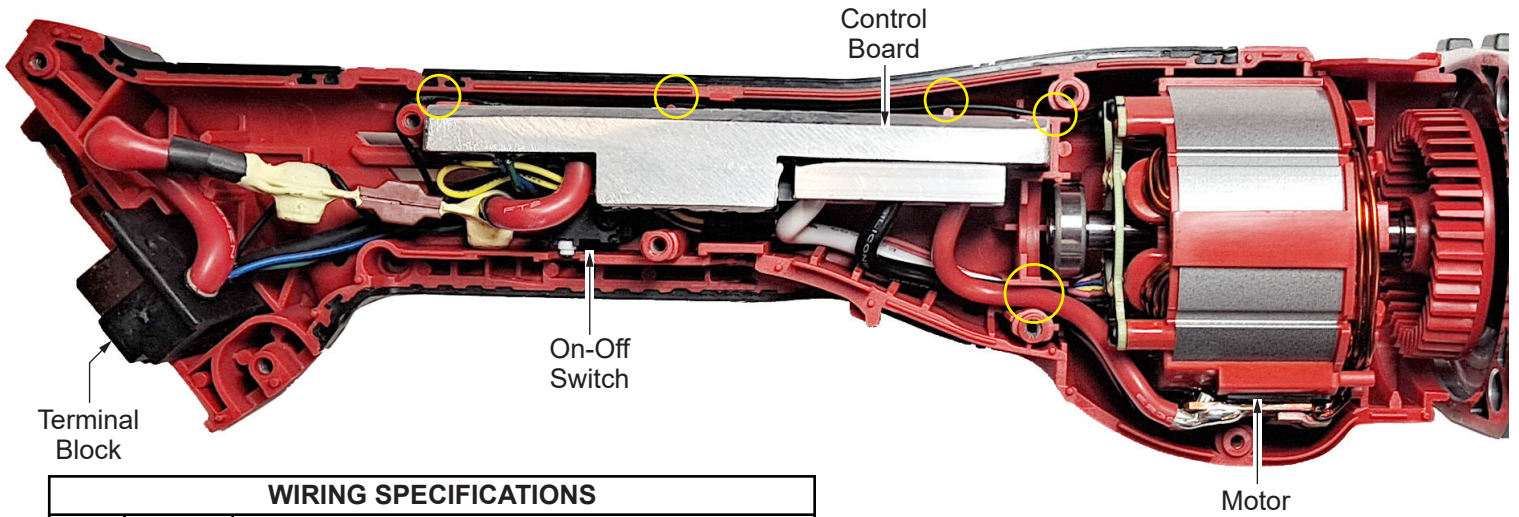
## Service Wiring

Prior to installing the electronics assembly (71) into the housing support (41), place grounding terminal over screw boss as shown. Route ground wire, removing as much slack as possible. Be sure wire is pressed firmly to the back of the wire traps.



Ground Terminal

# SERVICE WIRING



WIRING SPECIFICATIONS		
Wire No.	Wire Color	Orientation
1	Red	From Hall Board to Power Control Board
2	Orange	From Hall Board to Power Control Board
3	Blue	From Hall Board to Power Control Board
4	Yellow	From Hall Board to Power Control Board
5	Black	From Hall Board to Power Control Board
6	White	From Power Control Board to Stator
7	Black	From Power Control Board to Stator
8	Red	From Power Control Board to Stator
9	Yellow	From Power Control Board to On-Off Switch
10	Yellow	From Power Control Board to On-Off Switch
11	Black	From Power Control Board to Battery Terminal Block
12	Red	From Battery Terminal Block to Power Control Board
13	Blue	From Power Control Board to Battery Terminal Block
14	Green	From Power Control Board to Battery Terminal Block
15	Black	HV Wire From Battery Terminal Block to Gearcase

- As an aid to reassembly, take notice of wire routing and position in wire guides and traps while dismantling tool.
- Be sure that all components of the electronics kit are seated firmly and squarely in the housing recesses.
- Avoid pinched wires, be sure that all wires and sleeves are pressed completely down in wire guides and traps.
- Prior to securing the housing cover onto the housing support, be sure that there are no interferences.
- Before installing the battery, check for proper functionality of paddle trigger.
- Install battery and depress paddle trigger to assure tool is operating properly.

